

# MPK20

max 2 T

2660 x 950 x 1950 mm

max 5.8 m

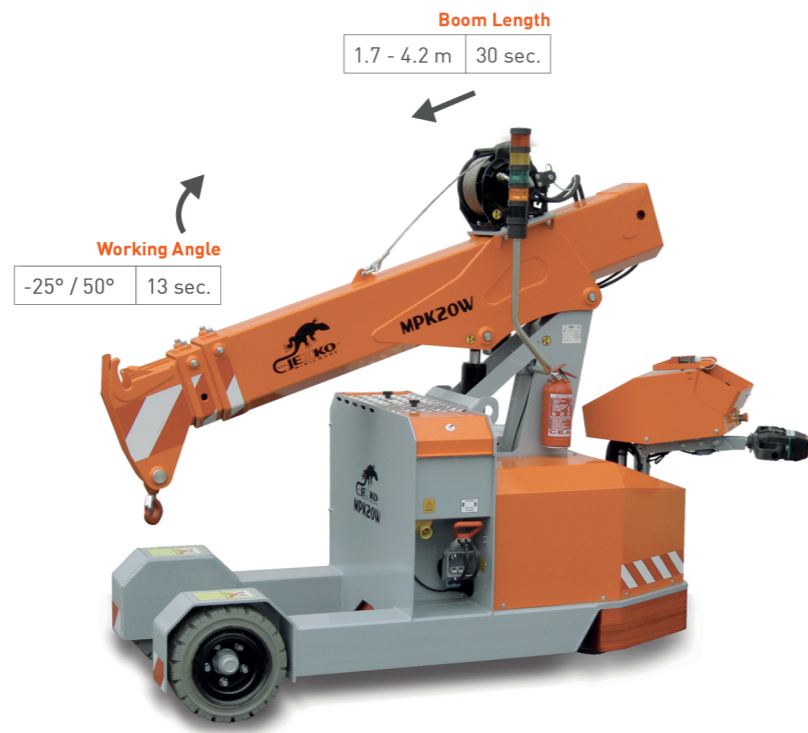
max 2.8 m

The essential partner for industrial maintenance and glass handling.  
Reliable, safe and easy to use: a small crane with great potential.



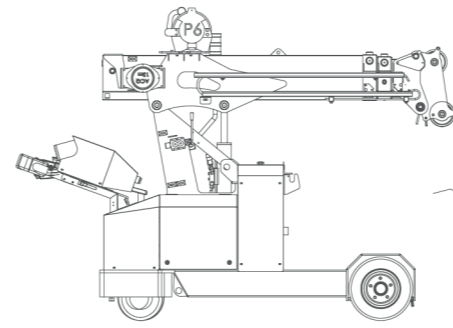
## Technical Information

Dimension	LxWxH	2660 x 950 x 1950 mm	
Crane & Options Weights	MPK20	1455 Kg	
	/	500	
	2T-D7	10	
	JIB500G	30	
	MR800.4	300	
MPK20	Battery	1 Battery 24 V 345 Ah	3,0 kW 4,2 Hp
Speed		3.6 km/h	
Gradability		10°	



## Winch&Fall Stages

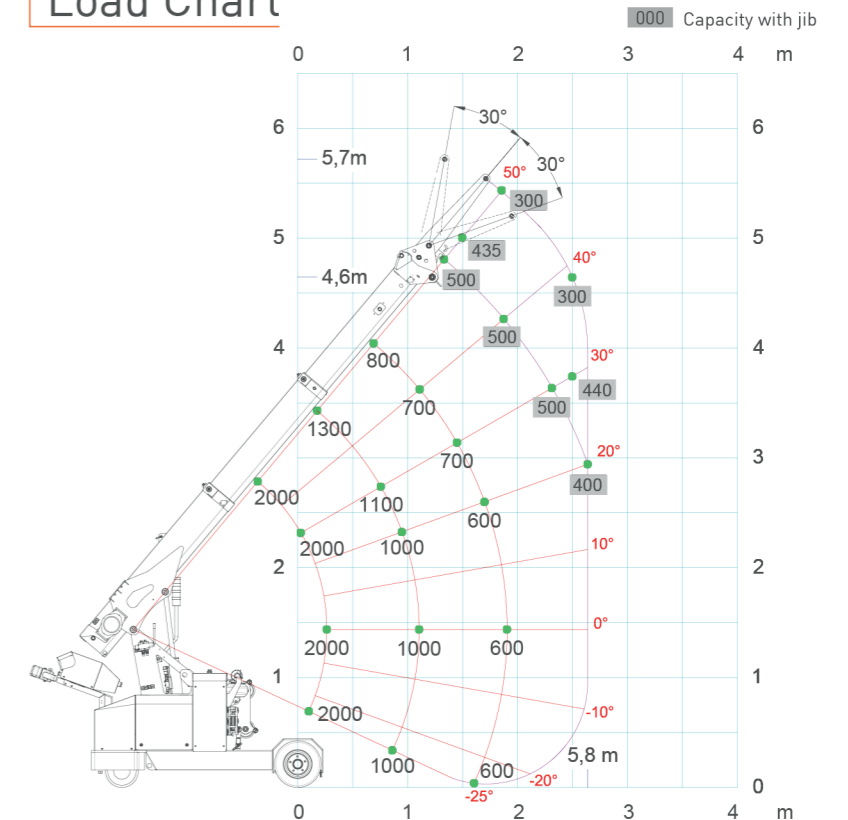
Main Winch	600 kg 60 m - Ø 7 mm 18 m/min.
------------	--------------------------------------



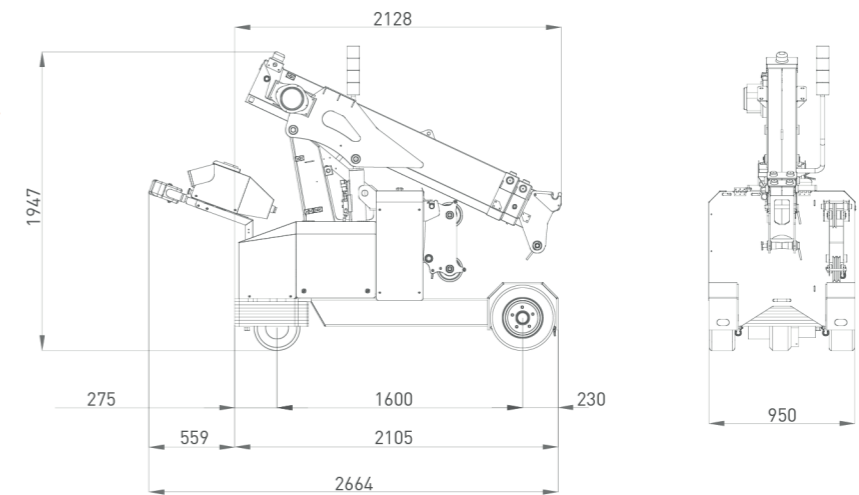
Max. Capacity	Line	Metres
1800 kg	3	-19 m
1200 kg	2	-28 m
600 kg	1	-55 m



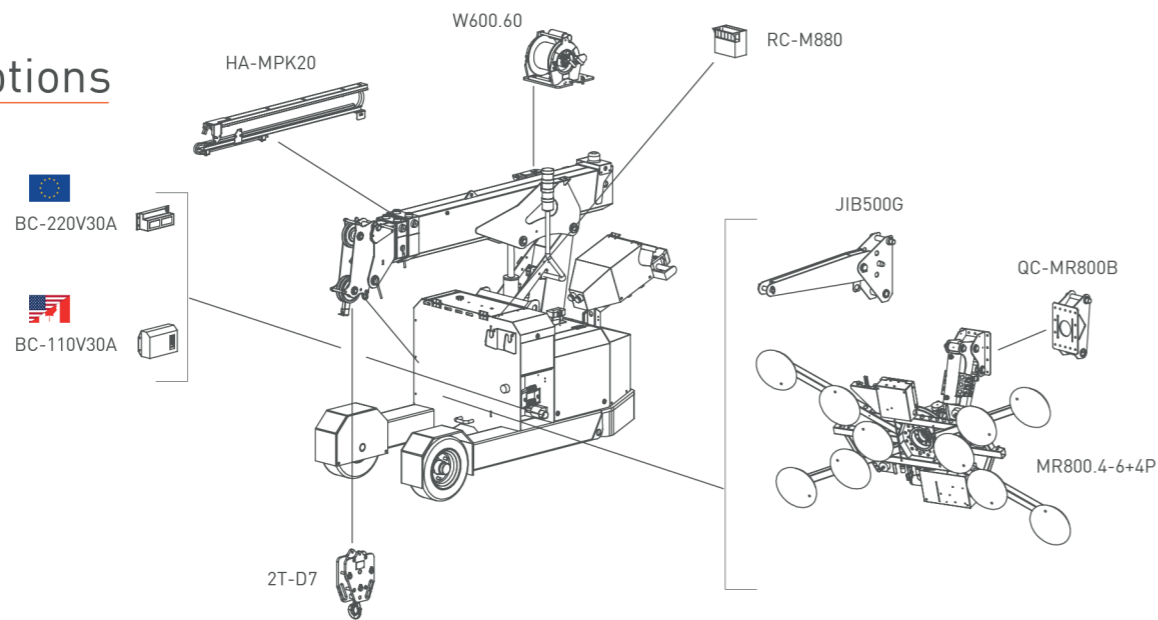
## Load Chart



## Dimensions



## Crane Options



## Tools Configurations

JIB500G		MR800	
max	500 kg	max	800 kg
max	300 kg @ 5.5 m	max	150 kg @ 4 m
max	400 kg @ 2.5 m	max	150 kg @ 3.5 m